



## Features

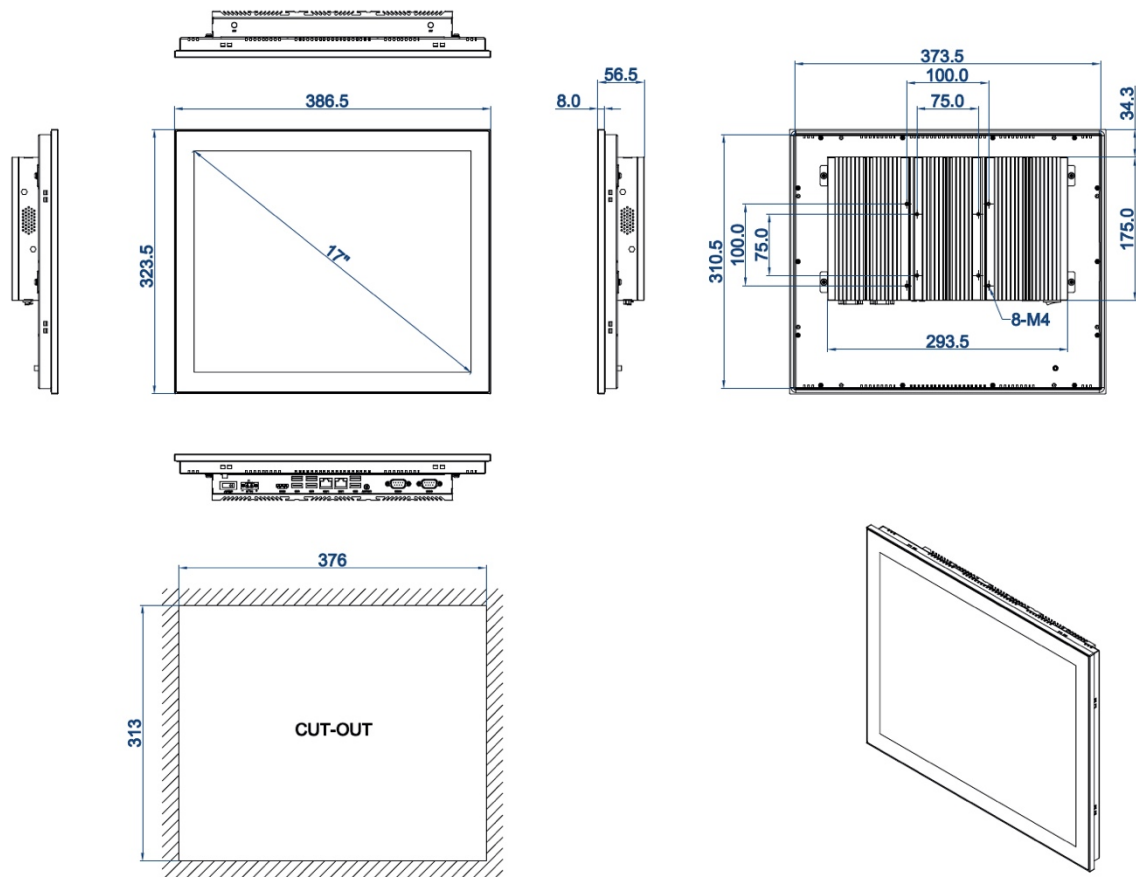
- 17.0" TFT LCD display, LED Backlit, SXGA 1280 \*1024;
- Intel 8<sup>th</sup> -gen. Whiskey Lake Celeron, Core i3/i5/i7 processor;
- Multi-points (Max. up to 10 points) Projective capacitive touch, EETI controller;
- Aluminum-magnesium alloy, anodized treatment, Modular designed;
- DC 9~24V, with over-current, over-voltage and polarity protection;
- 2\*GLAN, 4\*USB3.0, 2\*USB2.0, 2\*COM, 1\*HDMI, Line-out;
- Fan-less & Slim design, Panel mount, VESA, Front IP65 protection.

## Specification

<b>Hardware &amp; System</b>	BIOS	SPI AMI EEI BIOS
	CPU	Intel 8 <sup>th</sup> -gen. Whiskey Lake Celeron 4205U, Core i3-8145U, Core i5-8265U, Core i7-8565U
	Memory	SO-DIMM, DDR4-2400 MT/s, Max. up to 16GB
	Storage	1* 2.5"SATA + 1*mSATA
	Graphic	Intel UHD Graphics 620
	Network	2* Intel I211AT (Optional 3G/4G/Wi-Fi)
	Audio	On-board Realtek ACL 269 audio controller
	Expansion	1* Full size Mini-PCIe slot
	Watch dog	0~256 seconds programmable
	OS	Win10, Linux
<b>IO interface</b>	COM	2*RS232 (Support 1x RS485)
	Ethernet	2* RJ45, 10/100/1000 Mbps
	Audio	Line out
	USB	4x USB3.0, 2x USB2.0
	Display	1x HDMI
	Power	1x 2 pins, phenix terminal
<b>LCD Display</b>	Size/Type	17.0" TFT LCD
	Resolution	1280 * 1024 (SXGA)
	Brightness	250 nits
	Backlit & MTBF	LED backlit & 50 000hours
	Display area	337.92 * 270.34
	View angle	85/85/85/85
<b>Touchscreen</b>	Type	Projective capacitive touchscreen
	Touch points	Multi points touch, max. up to 10 points
	Durability	>100 000 000 times
	Surface hardness	Mohs 6H
	Special treatment	Anti-fingerprint (AF)
<b>Structure</b>	Structure and surface	Magnesium-Aluminum alloy, sand blasting, anodized treatment
	Mount method	Panel mount, VESA 75/100
	Cooling system	Large area finned heat sink
	Overall dimension	386.5 * 323.5 * 56.5 (mm)
	Cut-out dimension	376 * 313 (mm)
	Net weight	4.7 KG
	IP protection	Front Panel IP65
<b>Power &amp; Environmental</b>	Operating temp.	0 ~ +50°C
	Storage temp.	-20 ~ +60°C
	Relative Humidity	10 ~ 95% @ 10C (Non-condensation)
	Vibration	50 ~ 500 Hz, 1.5G, 0.15mm peak to peak
	Shock	10G/Peak (11 ms)
	Power input	DC 9~24V
	Power consumption	Around 40W
	EMC	CE/FCC Class A

DIMENSIONAL DRAWING:TPC-DCM170W

## Dimension



DIMENSIONS IN MILLIMETERS

**TAICEN**  
DATE:2019.11.26  
REV:A Unit:mm

## Ordering info.

Part no.	Description
TPC-DCM170W0	17.0", 1280 * 1024, <b>Celeron 4205U</b> , Dual-core 1.8Ghz, Pcap. touch, 2*GLAN, 6*USB, 2*COM, 1*HDMI, Line-out, DC 9~24V
TPC-DCM170W1	17.0", 1280 * 1024, <b>Core i3-8145U</b> , Dual-core 2.1Ghz, Pcap. touch, 2*GLAN, 6*USB, 2*COM, 1*HDMI, Line-out, DC 9~24V
TPC-DCM170W2	17.0", 1280 * 1024, <b>Core i5-8265U</b> , Quad-core 1.6Ghz, Pcap. touch, 2*GLAN, 6*USB, 2*COM, 1*HDMI, Line-out, DC 9~24V
TPC-DCM170W3	17.0", 1280 * 1024, <b>Core i7-8565U</b> , Quad-core 1.8Ghz, Pcap. touch, 2*GLAN, 6*USB, 2*COM, 1*HDMI, Line-out, DC 9~24V
TDDR4- <b>4/8/16</b> GB1	Memory: SO-DIMM, DDR4, <b>4GB/8GB/16GB</b> Memory
TMSATA- <b>32/64/128/256/512</b> GB1	mSATA SSD: <b>32GB/64GB/128GB/256GB/512GB</b>
T25SAS- <b>256/512</b> GB1	2.5" SATA SSD: <b>256GB/512GB</b>
T25SAH- <b>1T/2T/4TB</b> 1	2.5" HDD: <b>1TB/2TB/4TB</b>
TWM-WIFIA1	Wi-Fi module, with Antenna
TWM-WIFIBT1	Wi-Fi with BT integrated module, with Antenna
TWM-4GA1	All network 4G/LTE module, With Antenna
TS-2W2MS	2 * 2W Mini Speaker

## Packing List

- 1x Standard Product
- 1x 90W PSU (Power Supply)
- 1x Power cable & Plug
- 8x Panel mount metal clips