

# TPC-DRM121C

12.1" XGA Intel Baytrail Resistive Panel PC

Version: 3.0



## Features

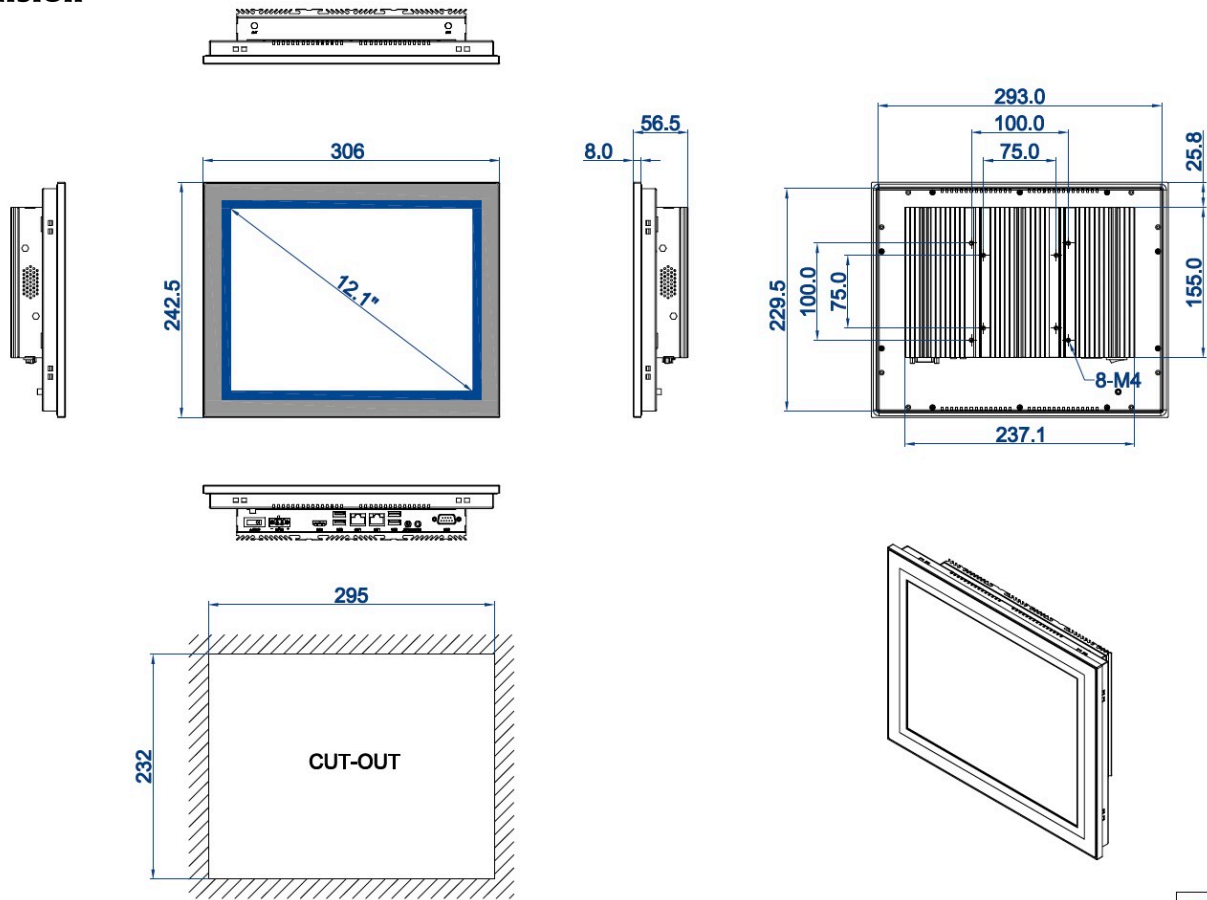
- 12.1" TFT LCD display, LED Backlit, XGA 1024 \*768;
- Intel Baytrail J1900 2.0Ghz Quad-core processor;
- High temp. 5-wires precision resistive touchscreen, EETI controller;
- Aluminum-magnesium alloy, anodized treatment, Modular designed;
- DC 9~24V, with over-current, over-voltage and polarity protection;
- 2\*GLAN, 4\*USB, 1\*COM, 1\*HDMI, Mic-in/Line-out;
- Fan-less & Slim design, Panel mount, VESA, Front IP65 protection.

## Specification

<b>Hardware &amp; System</b>	BIOS	SPI AMI EEI BIOS
	CPU	Intel Baytrail J1900, Quad-core 2.0Ghz, burst to 2.42Ghz
	Memory	SO-DIMM, DDR3L-1333, Max. up to 8GB (Compatible with DDR3)
	Storage	1*mSATA
	Graphic	Intel HD Graphic Gen 7
	Network	2* Intel I211AT (Optional 3G/4G/Wi-Fi)
	Audio	On-board Realtek ACL 282 audio controller
	Expansion	1* Full size Mini-PCIe slot
	Watch dog	0~256 seconds programmable
	OS	Win7, Win8, Win embedded, Win10, Linux
<b>IO interface</b>	COM	1*RS232 (Support RS485)
	Ethernet	2* RJ45, 10/100/1000 Mbps
	Audio	Mic-in/Line-out
	USB	1x USB3.0, 3x USB2.0
	Display	1x HDMI
	Power	1x 2 pins, phenix terminal
<b>LCD Display</b>	Size/Type	12.1" TFT LCD
	Resolution	1024 * 768 (XGA)
	Brightness	350 nits
	Backlit & MTBF	LED backlit & 30 000hours
	Display area	245.76 * 184.32
	View angle	80/80/80/80
<b>Touchscreen</b>	Type	High temp. 5-wires Resistive touchscreen
	Response time	<5ms
	Click life	250g / 35 million times
	Special treatment	PET film laminated, flat design
	Touch controller	EETI
<b>Structure</b>	Structure and surface	Magnesium-Aluminum alloy, sand blasting, anodized treatment
	Mount method	Panel mount, VESA 75/100
	Cooling system	Large area finned heat sink
	Overall dimension	306.0 * 242.5 * 56.5 (mm)
	Cut-out dimension	295 * 232 (mm)
	Net weight	3.5 KG
	IP protection	Front Panel IP65
<b>Power &amp; Environmental</b>	Operating temp.	-20 ~ +70°C
	Storage temp.	-30 ~ +80°C
	Relative Humidity	10 ~ 95% @ 10C (Non-condensation)
	Vibration	50 ~ 500 Hz, 1.5G, 0.15mm peak to peak
	Shock	10G/Peak (11 ms)
	Power input	DC 9~24V
	Power consumption	Around 30W
	EMC	CE/FCC Class A

DIMENSIONAL DRAWING:TPC-DRM121

**Dimension**



DIMENSIONS IN MILLIMETERS

**TAICENN**  
 DATE:2019.12.06  
 REV:A Unit:mm

**Ordering info.**

Part no.	Description
TPC-DCM121C1	12.1", 1024 * 768, Intel Baytrail J1900, Pcap. touch, 2*GLAN, 4*USB, 1*COM, 1*HDMI, Mic-in/Line-out, DC 9~24V
TPC-DRM121C1	12.1", 1024 * 768, Intel Baytrail J1900, Resistive touch, 2*GLAN, 4*USB, 1*COM, 1*HDMI, Mic-in/Line-out, DC 9~24V
TDDR3-2/4/8GB1	Memory: SO-DIMM, DDR3, 2GB/4GB/8GB Memory
TMSATA-32/64/128/256/512GB1	mSATA SSD: 32GB/64GB/128GB/256GB/512GB
TWM-WIFIA1	Wi-Fi module, with Antenna
TWM-WIFIBT1	Wi-Fi with BT integrated module, with Antenna
TWM-4GA1	All network 4G/LTE module, With Antenna

**Packing List**

■ 1x Standard Product
■ 1x 60W PSU (Power Supply)
■ 1x Power cable & Plug
■ 8x Panel mount metal clips