

TPC-DRM150A

15.0" XGA Apollo Lake Resistive Panel PC

Version: 3.0



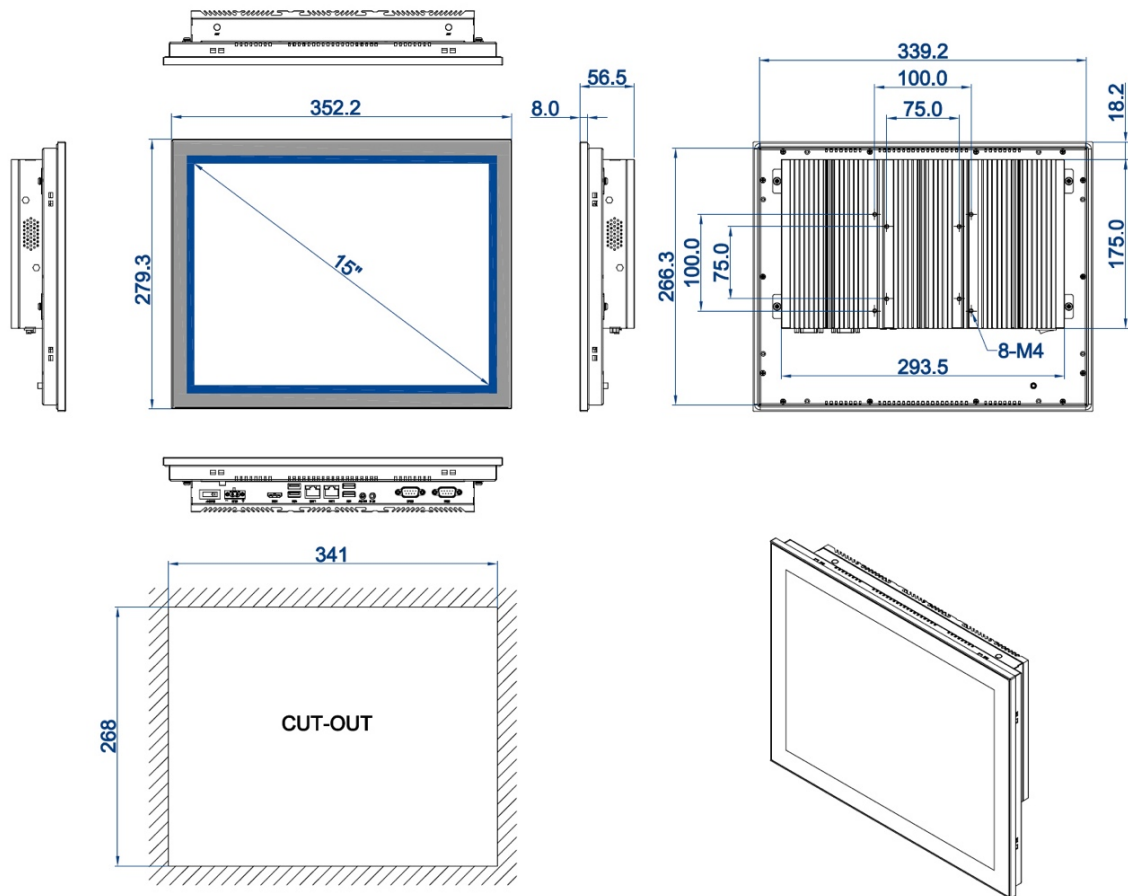
Features

- 15.0" TFT LCD display, LED Backlit, XGA 1024 *768;
- Intel Apollo Lake J3455 1.5Ghz Quad-core processor;
- High temp. 5-wires precision resistive touchscreen, EETI controller;
- Aluminum-magnesium alloy, anodized treatment, Modular designed;
- DC 12V, with over-current, over-voltage and polarity protection;
- 2*GLAN, 4*USB3.0, 2*COM, 1*HDMI, Mic-in/Line-out;
- Fan-less & Slim design, Panel mount, VESA, Front IP65 protection.

Specification

Hardware & System	BIOS	SPI AMI EEI BIOS
	CPU	Intel Apollo Lake J3455, Quad-core 1.5Ghz, burst to 2.3Ghz
	Memory	SO-DIMM, DDR3-1866Mt/s, Max. up to 8GB
	Storage	1* 2.5"SATA + 1*mSATA
	Graphic	Intel HD Graphics 500
	Network	2* Intel I211AT (Optional 3G/4G/Wi-Fi)
	Audio	On-board Realtek ACL 269 audio controller
	Expansion	1* Full size Mini-PCIe slot
	Watch dog	0~256 seconds programmable
	OS	Win10, Linux
IO interface	COM	2*RS232 (Support 1x RS485)
	Ethernet	2* RJ45, 10/100/1000 Mbps
	Audio	Mic-in/Line-out
	USB	4x USB3.0
	Display	1x HDMI
	Power	1x 2 pins, phenix terminal
LCD Display	Size/Type	15.0" TFT LCD
	Resolution	1024 * 768 (XGA)
	Brightness	350 nits
	Backlit & MTBF	LED backlit & 50 000hours
	Display area	304.128 * 228.096
Touchscreen	View angle	80/80/80/80
	Type	High temp. 5-wires Resistive touchscreen
	Response time	<5ms
	Click life	250g / 35 million times
	Special treatment	PET film laminated, flat design
Structure	Touch controller	EETI
	Structure and surface	Magnesium-Aluminum alloy, sand blasting, anodized treatment
	Mount method	Panel mount, VESA 75/100
	Cooling system	Large area finned heat sink
	Overall dimension	352.2 * 279.3 * 56.5 (mm)
	Cut-out dimension	341 * 268 (mm)
	Net weight	3.9 KG
	IP protection	Front Panel IP65
Power & Environmental	Operating temp.	-20 ~ +60°C
	Storage temp.	-30 ~ +80°C
	Relative Humidity	10 ~ 95% @ 10C (Non-condensation)
	Vibration	50 ~ 500 Hz, 1.5G, 0.15mm peak to peak
	Shock	10G/Peak (11 ms)
	Power input	DC 12V (Optional DC 9~36V)
	Power consumption	Around 35W
	EMC	CE/FCC Class A

Dimension



DIMENSIONS IN MILLIMETERS

TAICENN
 DATE:2019.06.11
 REV:A Unit:mm

Ordering info.

Part no.	Description
TPC-DCM150A1	15.0", 1024 * 768, Intel Apollo Lake j3455, Pcap. touch, 2*GLAN, 4*USB, 2*COM, 1*HDMI, Mic-in/Line-out, DC 12V
TPC-DRM150A1	15.0", 1024 * 768, Intel Apollo Lake j3455, Resistive touch, 2*GLAN, 4*USB, 2*COM, 1*HDMI, Mic-in/Line-out, DC 12V
TDDR3-2/4/8GB1	Memory: SO-DIMM, DDR3, 2GB/4GB/8GB Memory
TMSATA-32/64/128/256/512GB1	mSATA SSD: 32GB/64GB/128GB/256GB/512GB
T25SAS-256/512GB1	2.5" SATA SSD: 256GB/512GB
T25SAH-1T/2T/4TB1	2.5" HDD: 1TB/2TB/4TB
TWM-WIFIA1	Wi-Fi module, with Antenna
TWM-WIFIBT1	Wi-Fi with BT integrated module, with Antenna
TWM-4GA1	All network 4G/LTE module, With Antenna
TPS-DTD936M1	DC to DC, wide power input DC 9 ~ 36V
TS-2W2MS	2 * 2W Mini Speaker

Packing List

■ 1x Standard Product
■ 1x 60W PSU (Power Supply)
■ 1x Power cable & Plug
■ 8x Panel mount metal clips